



TX-0041 | TX-0042  
**ENVELOPE TYPE  
RESCUE STRETCHER FOR  
CONFINED SPACES**



Allows movements in small spaces, and the flexing of the victim's hip



Passes through areas of difficult and restrict access



Allows sideways transportation



Exclusive color code for the straps, each representing a function



Fast transport, less than 20 seconds needed to prepare the victim after stabilization



Patented product

## Description

The H-STR PLUS II rescue stretcher was developed with reduced dimensions, ideal for transport and rescue of victims in different industrial, urban, maritime and vertical scenario, mainly places with reduced sizes, due to the possibility of the flexing of the victim's hip, offering good mobility. With DSS® - Double Safety System - and Harness H®.

## Highlights



DSS® - Double Safety System



Pedalboard



Straps with color code for easy identification of functions



Allows movement in restrict areas due to the flexing of the victim's hip



Automatic buckles for patient fixation and closing of stretcher

## Technical Description

H-STR PLUS II envelope type stretcher has exclusive design for rescue at heights and confined spaces activities, mainly for small areas. Projected with patented DSS® - Double Safety System.

To ensure faster and easier rescue operations, the stretcher has a color code system for the straps. Each color represents a form of utilization, thus reducing the possibility of mistakes.

Carrying handles with double grab and 3 automatic fast engage buckles. Has adjustable pedalboard for the comfort of the victim. Built in HDPE, with 44mm polyester straps and 24kN of resistance, inox steel connection points, aluminium buckles and carbon steel arch.

## Technical advantages



DSS® - Double Safety System, patented, victim is fixed on the stretcher through straps



Ease and speed of usage, stretcher is ready to use



Easy manual transport of the stretcher using its backpack



Allows movement in restrict areas due to the flexing of the victim's hip



Can be used by brigades and professionals easily



Waterproof backpack

## Certifications

### EQUIPAMENT

H-STR PLUS II®

CE

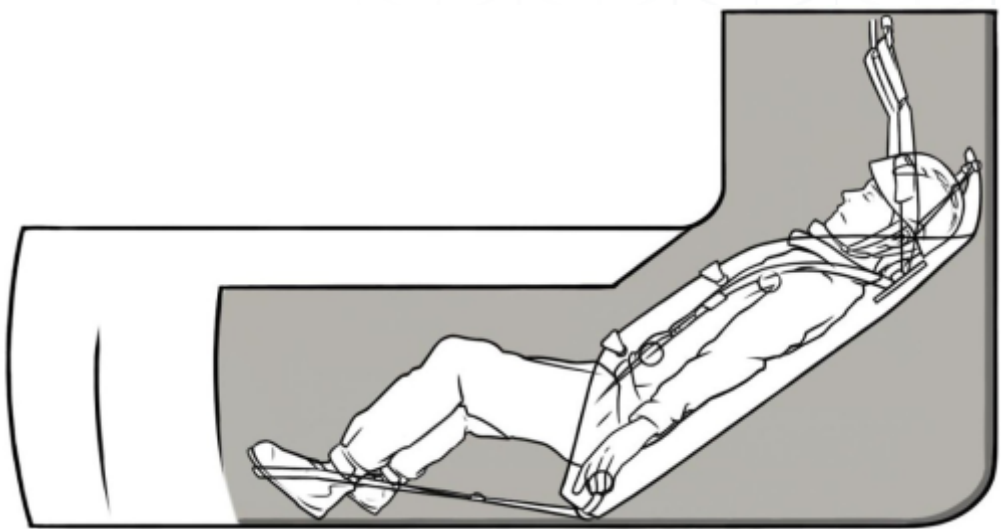


# Measuring and Materials

Product name:	H-STR PLUS II
Product code:	TX-0041   TX-0042
Dimensions:	1200mm x 820mm x 3mm 900mm x 320mm (rolled) 1000mm x 350mm (rolled inside backpack)
Load capacity:	1 patient Minimum weight of patient: 45kg Maximum weight of patient: 120kg Minimum height of patient: 1,30m Maximum height of patient: 2,10m
Components:	1 waterproof backpack 2 steel carabiners
Weight:	6,700kg 7,450kg (with backpack)
Constructive material:	Board: HDPE Straps: Polyamide and polyester Rivets: Aluminum Fixing plates: Stainless steel and carbon steel Small buckles: Stainless steel Automatic buckles: Carbon steel Plastic buckles: Nylon
Colors:	Black or orange

## Applications

As it is an extremely versatile stretcher, the H-STR PLUS II® is intended for vertical rescue operations in any environment, especially in environments of reduced dimensions of different industrial, urban, maritime and vertical scenarios, places and equipment with small spaces, as it allows flexing the victim's hip, offering more mobility.



# Utilization

**This topic serves only as a resuméd informative guide regarding the utilization and precautions for the stretcher. For complete information consult the user manual.**

## Training

The H-STR PLUS II® stretcher must only be used by previously trained professionals and strictly in accordance with the information, warnings and limitations established in its user manual.

Improper use of the H-STR PLUS II® stretcher by professionals with or without training can cause accidents with a risk of serious injury to users and patients. If you are not prepared to use this product, do not use it.

## Responsibilities

Users of this product fully assume all risks and responsibilities for accidents involving damage, injury or death caused by incorrect, improper or forbidden use as defined by the manufacturer. It is extremely important that before use, everyone is formally trained in rescue scenarios, and properly qualified to coordinate an operation using the H-STR PLUS II® stretcher.

## Emergencies and rescues

Rescues from heights using stretchers, ropes and other rescue equipment are potentially dangerous techniques that require special skills from those assigned to these operations.

It is the responsibility of users of this product to be trained to apply first aid procedures or specific medical protocols to care for users who are victims of accidents while using this product.

# Components

**Head Protection** – Extension of the board to protect the victim's head

**Padded** – Padded base for comfort of the victim's body

**Pedal** – Adjustable pedal system to support the victim's feet

**DSS – Double Safety System** – Yellow straps to secure the victim to the stretcher

**Closing straps** – Strap system with automatic buckles for closing of the stretcher

**Carrying handles** – Carrying handles on the top and sides of the stretcher

## Color code

**Blue** - Carrying handles

**Yellow** - Straps to secure the victim's body (DSS)

**Black** - Stretcher closure straps



# Related Products

RESCUE SUPER II



TX-0005

SISTEMA WENDIX



TX-0047

STATIC 10,5MM



TR-0025

STATIC 11MM



TR-0028

STATIC 12MM



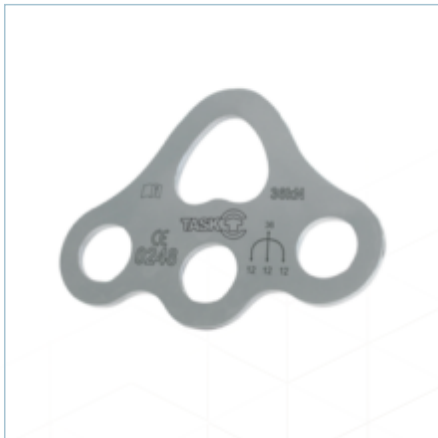
TR-0031

BULLET D AUTO



TM-0031

DOG PLATE



TA-0039

BEAR PLATE



TA-0033

SINGLE PRO



TP-0038

DOUBLE PRO



TP-0060

SPEED PRO



TP-0037

D4



RP-880B

D4 PRO



RP-881

D5



RP-885

ROPE GRAB II



TB-0015

SPIN



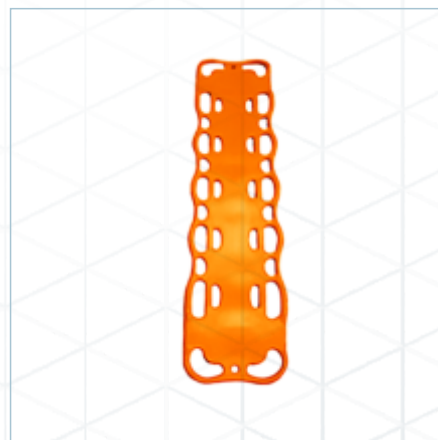
TA-0022

COLAR CERVICAL



TX-0010, TX-0011, TX-0012

PRANCHA DE POLIETILENO



TX-0004



KED



TX-0008

H-BLOCK



TX-0009

BULLET D



TM-0030

## FAQ

### DOES H-STR PLUS II HAS INTERNATIONAL OR NATIONAL CERTIFICATIONS? IT HAS CA?

There is only "CE" certificate for hospital stretchers. There are still no standards for the protection of technical rescue (pre-hospital) stretchers. According to NR 06, this is not an PPE, so there is no justification for issuing the CA in this one.

### THE H-STR PLUS II IS SUIT FOR WHICH TYPE OF RESCUES?

All types of rescue at height where it is necessary to transport a patient in height differences, using different handling systems, with the stretcher in a vertical position or horizontal position, in scenarios that involve rescues with descents from a higher level to a lower level, lifting from a lower level to a higher level, rescues in confined spaces with horizontal or vertical access (with manholes up to 500mm in diameter), urban rescues, restricted areas mainly because it allows the victim's hip to flex.

### WHAT IS THE MAXIMUM AND MINIMUM HEIGHT ALLOWED FOR THE PATIENT TO FIT THE H-STR PLUS II?

The patient can have a maximum height of 2,10 meters. The stretcher cannot be used with people who are less than 1,30 meters tall.

### THE MAINTANCE OR REPLACEMENT OF COMPONENTS CAN BE MADE BY THE USER?

No. The user is responsible for the safekeeping, conservation and correct use of the system within the limits provided by the manufacturer in its user manual, which users are also required to read.

### WHAT IS THE PROFILE OF THE H-STR PLUS II USER?

As it is a stretcher already prepared for use, it can be used by rescuers of any level of training. It is capable of performing basic maneuvers, as well as more complex maneuvers such as zip lines, counterweights, mobile re-delivery pulley and STEF. For more complex maneuvers, a more complete level of training may be required of the rescuer.

### IS THE H-STR PLUS II STRETCHER CAPABLE OF DOING COMPLETE IMMOBILIZATION OF THE PATIENT'S VERTEBRAL SPINE?

No. The H-STR PLUS II is a device for transporting patients through suspended vertical movement or through manual ground movement. However, specific spinal immobilization devices, such as KED, rigid board or rigid half board, can be easily installed together with the stretcher without detriment to patient safety and the possibility of using the stretcher itself. The H-STR PLUS II configuration is designed exactly to accommodate other medical devices needed for patient care when needed.

### DOES THE H-STR PLUS II HAS THE TECHNICAL DELIVERY POSSIBILITY?

It is possible to make technical delivery of the equipment upon request.

### HOW MANY PEOPLE ARE NEEDED TO MAKE LAND TRANSPORTATION OF H-STR PLUS II?

Can be transported with a minimum of 4 rescuers. The ideal number would be 6 rescuers.

### DOES THE H-STR PLUS II STRETCHER HAS MAINTENANCE? HOW THE REPLACEMENT OF COMPONENTS WORKS?

Yes. Any alteration, replacement of components or repairs may only be made directly with the manufacturer, or by its local authorized representative, after a thorough evaluation. The HDPE board is unrepairable. Once broken or cracked, the H-STR PLUS II must be completely discarded.

### HOW LONG DOES THE STRETCHER WARRANTY COVERS? WHAT DOES THE WARRANTY COVER?

The H-STR PLUS II is warranted for 1 year against manufacturing defects. This warranty is limited to proven manufacturing defects and does not include normal wear and tear of components, misuse, modifications/alterations made to the product by users, damage due to accidents or transport, cases of negligence related to inspection, maintenance, storage and conservation and in terms of use beyond the limits for which the equipment is not intended.



**TASK VOTORANTIM**  
Av. Rogério Cassola, 896  
Itapeva - Votorantim - SP  
18116-709 - Brasil  
+55 (15) 3034-8000  
comercial@taskbr.com

[BUY NOW!](#)

[ACCESS OUR SITE](#)

